



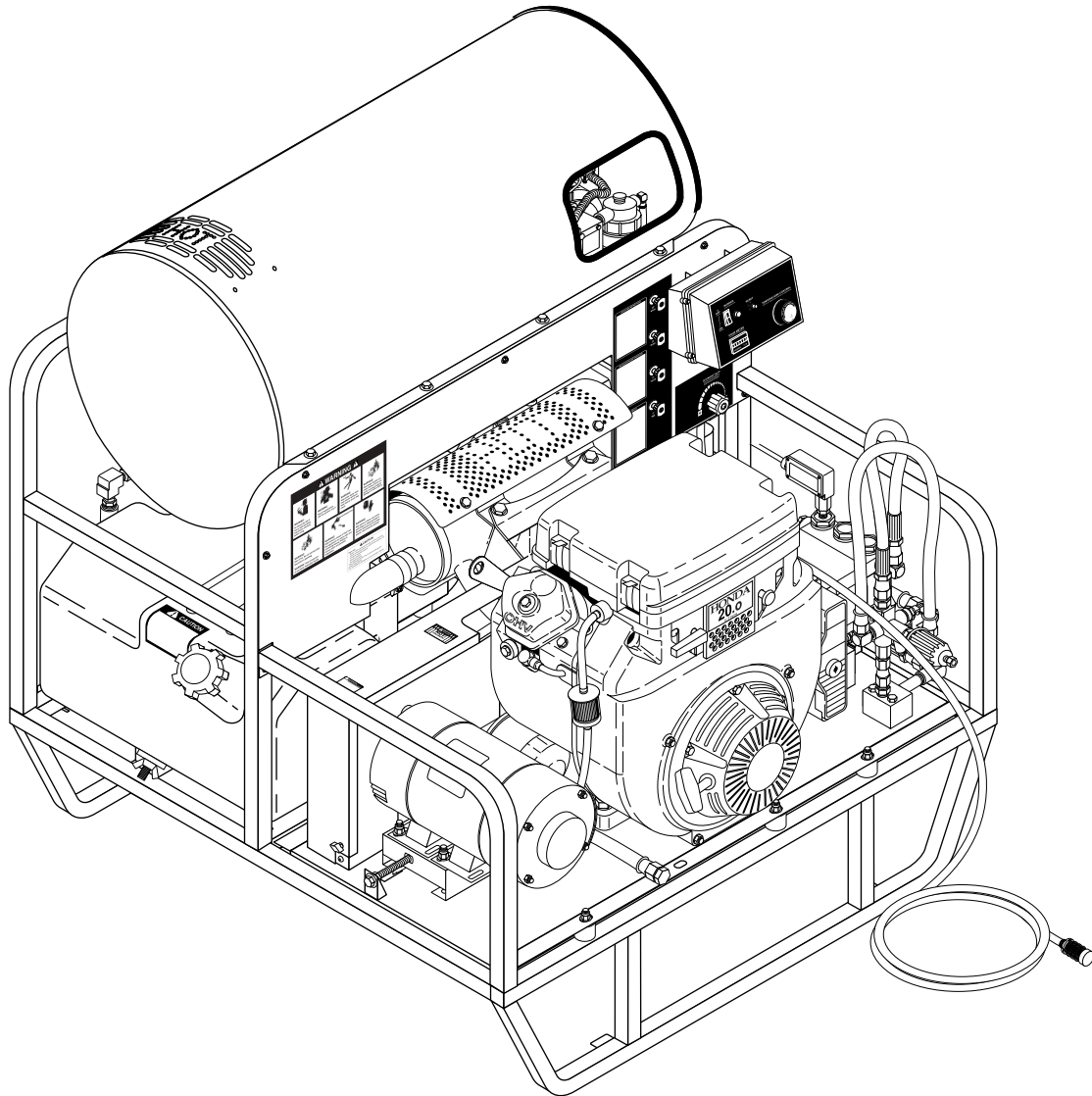
SSG

OPERATOR'S MANUAL

■ SSG-503027E/G

■ SSG-503537E/G

■ SSG-603537E/G



For technical assistance or the SHARK dealer nearest you
visit our website at www.shark-pw.com

#97-6134

CONTENTS

Introduction and Important Safety Information	4-5
Component Identification	6
Assembly Instructions	7
Operating Instructions	8-9
Detergents and Clean Up Tips	10
Shut Down and Clean-Up	11
Storage	11
Maintenance	12-14
Troubleshooting	15-18
Maintenance and Oil Change Charts	19
Exploded View, Left Side	20
Exploded View, Right Side	21
Exploded View, Parts List	22-24
Steam Pump, Exploded View and Parts List	25
Control Panel, Exploded View	26
Control Panel, Exploded View Parts List	26-27
Float Tank Assembly and Parts List	28
Hose and Spray Gun Assembly and Parts List	29
Pump Specifications	30-31
Burner Specifications	32
Warranty	

Model Number _____

Serial Number _____

Date of Purchase _____

The model and serial numbers will be found on a decal attached to the pressure washer. You should record both serial number and date of purchase and keep in a safe place for future reference.

INTRODUCTION AND IMPORTANT SAFETY INFORMATION

Thank you for purchasing our pressure washer.

All information in this manual is based on the latest product information available at the time of printing.

We reserves the right to make changes at any time without incurring any obligation.

Owner/User Responsibility:

The owner and/or user must have an understanding of the manufacturer's operating instructions and warnings before using this pressure washer. Warning information should be emphasized and understood. If the operator is not fluent in English, the manufacturer's instructions and warnings shall be read to and discussed with the operator in the operator's native language by the purchaser/owner, making sure that the operator comprehends its contents.

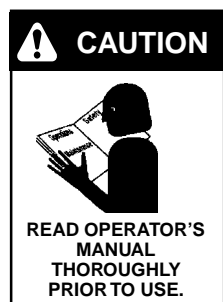
Owner and/or user must study and maintain for future reference the manufacturers' instructions.

This manual should be considered a permanent part of the machine and should remain with it if machine is resold.

When ordering parts, please specify model and serial number.

IMPORTANT SAFETY INFORMATION

WARNING: When using this product basic precautions should always be followed, including the following:



CAUTION: To reduce the risk of injury, read operating instructions carefully before using.

1. Read the owner's manual thoroughly. Failure to follow instructions could cause a malfunction of the machine and result in death, serious bodily injury and/or property damage.
2. Know how to stop the machine and bleed pressures quickly. Be thoroughly familiar with the controls.
3. Stay alert — watch what you are doing.
4. All installations must comply with local codes. Contact your electrician, plumber, utility company or the selling distributor for specific details.



WARNING: Risk of asphyxiation. Use this product outdoors only.

5. Avoid installing machines in small areas or near exhaust fans. Exhaust contains poisonous carbon monoxide gas; exposure may cause loss of consciousness and may lead to death. It also contains chemicals known in certain

quantities, to cause cancer, birth defects, or other reproductive harm.



WARNING: Flammable liquids can create fumes which can ignite, causing property damage or severe injury.

CAUTION: Risk of fire. Do not add fuel when machine is operating.

6. Allow engine to cool for 2 minutes before refueling. If any fuel is spilled, make sure the

area is dry before testing the spark plug or starting the engine. (Fire and/or explosion may occur if this is not done.)

Gasoline engines on mobile or portable equipment shall be refueled:

- (a) outdoors;
- (b) with the engine on the equipment stopped;
- (c) with no source of ignition within 10 feet of the dispensing point; and
- (d) with an allowance made for expansion of the fuel should the equipment be exposed to a higher ambient temperature.

In an overfilling situation, additional precautions are necessary to ensure that the situation is handled in a safe manner.

WARNING: Risk of explosion – do not spray flammable liquids.

7. Do not place machine near flammable objects as the engine is hot.



WARNING: Risk of injection or severe injury to persons - Keep clear of nozzle - Do not touch or direct discharge stream at persons. This machine is to be used only by trained operators.

CAUTION: Hot discharge fluid. Do not touch or direct discharge stream at persons.

IMPORTANT SAFETY INFORMATION

8. High pressure developed by these machines will cause personal injury or equipment damage. Use caution when operating. Do not direct discharge stream at people, or severe injury or death will result.



WARNING: High pressure spray can cause paint chips or other particles to become airborne and fly at high speeds.

9. Eye safety devices, safety clothing; hand and foot protection must be worn when using this equipment.
10. Never make adjustments on machine while it is in operation.

WARNING: Spray gun kicks back. Hold with both hands.

11. Grip cleaning wand securely with both hands before starting the cleaner. Failure to do this could result in injury from a whipping wand.
12. Machines with spray gun should not be operated with the spray gun in the off position for extensive periods of time as this may cause damage to the pump.
13. The best insurance against an accident is precaution and knowledge of the machine.
14. We will not be liable for any changes made to our standard machines, or any components not purchased from us.



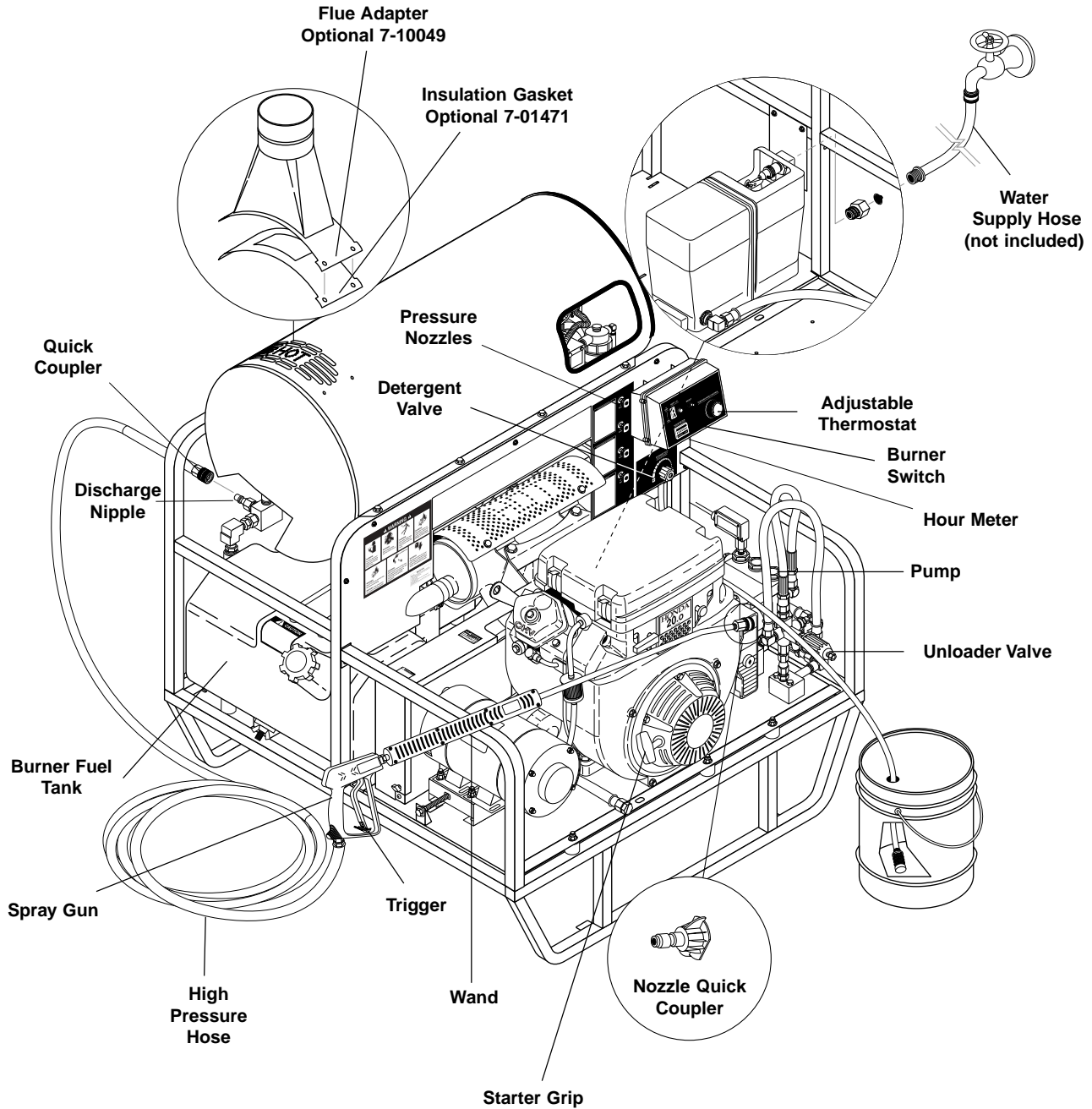
WARNING: Keep wand, hose and water spray away from electrical wiring or fatal electric shock may result.

15. Read engine safety instructions provided.
16. Never run pump dry or leave spray gun closed longer than 2 minutes.

17. Inlet water must be cold and clean fresh water.

18. Use No. 1 or No. 2 Heating Oil (ASTM D306) only. **NEVER** use gasoline in your fuel oil tank. Gasoline is more combustible than fuel oil and could result in a serious explosion. **NEVER** use crankcase or waste oil in your burner. Burner malfunction could result from contamination.
19. Do not confuse gasoline and fuel oil tanks. Keep proper fuel in proper tank.
20. Protect machine from freezing.
21. Be certain all quick coupler fittings are secured before using pressure washer. Coupler collar must be pushed into the locked position.
22. Do not allow acids, caustic, or abrasive fluids to pass through the pump.
23. To reduce the risk of injury, close supervision is necessary when a product is used near children. Do not allow children to operate the pressure washer. **This machine must be attended during operation.**
24. Do not operate this product when fatigued or under the influence of alcohol or drugs. Keep operating area clear of all persons.
25. Protect discharge hose from vehicle traffic and sharp objects. Inspect condition of high pressure hose before using or bodily injury may result.
26. Before disconnecting discharge hose from water outlet, turn burner off and open spray gun to allow water to cool below 100°F before stopping the machine. Then open the spray gun to relieve pressure. Failure to properly cool down or maintain the heating coil may result in a steam explosion.
27. Do not overreach or stand on unstable support. Keep good footing and balance at all times.
28. This machine must be attended during operation.
29. **CAUTION: Risk of injury. Disconnect battery ground terminal before servicing.**

COMPONENT IDENTIFICATION SMALL



Pump — Delivers a specific gpm to the high pressure nozzle which develops pressure.

Starter Grip— Used for starting the engine manually.

Spray Gun — Controls the application of water and detergent onto cleaning surface with trigger device. Includes safety latch.

Unloader Valve— Safety device which allows pressure to be released when spray gun is closed.

Wand — Must be connected to the spray gun.

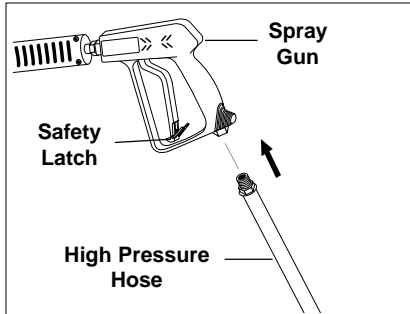
High Pressure Hose — Connect one end to water pump discharge nipple and the other end to spray gun.

Adjustable Thermostat — Safety control which prevents temperatures from going above adjustable setting.

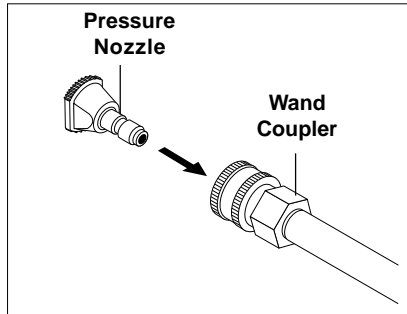
Note: If trigger on spray gun is released for more than 2 minutes, water will leak from valve. Warm water will discharge from pump protector onto floor. This system prevents internal pump damage.

Note: if flue adapter is installed, the burner assembly air adjustment must be adjusted.

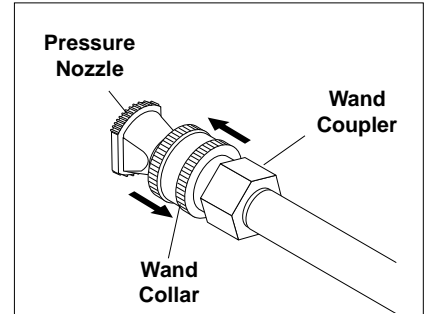
ASSEMBLY INSTRUCTIONS



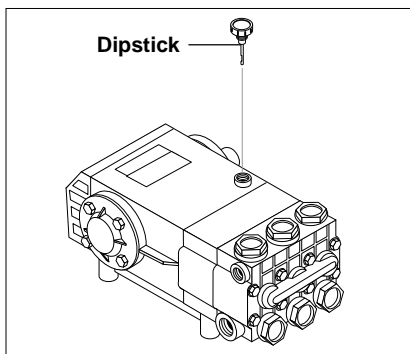
STEP 1: Attach the high pressure hose to the spray gun using teflon tape on hose threads.



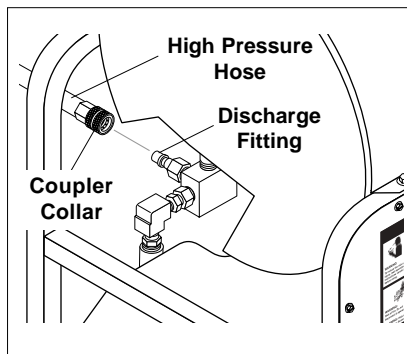
STEP 2: Pull the spring-loaded collar of the wand coupler back to insert your choice of pressure nozzle.



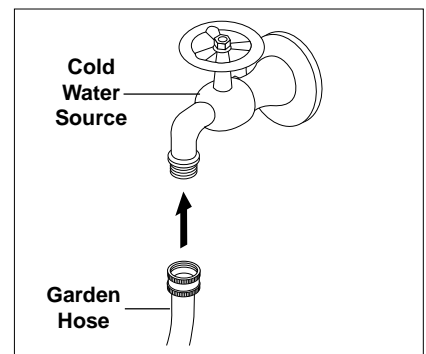
STEP 3: Release the coupler collar and push the nozzle until the collar clicks. Pull the nozzle to make sure it is seated properly.



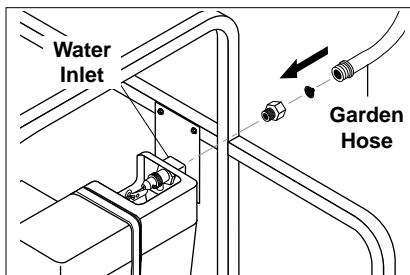
STEP 4: Remove shipping cap and install oil dipstick. Check pump oil level by using dipstick or observe oil level in oil window (if equipped). Use 30 wt. non detergent oil.



STEP 5: Connect the high pressure hose to the pump discharge fitting. Push coupler collar forward until secure.

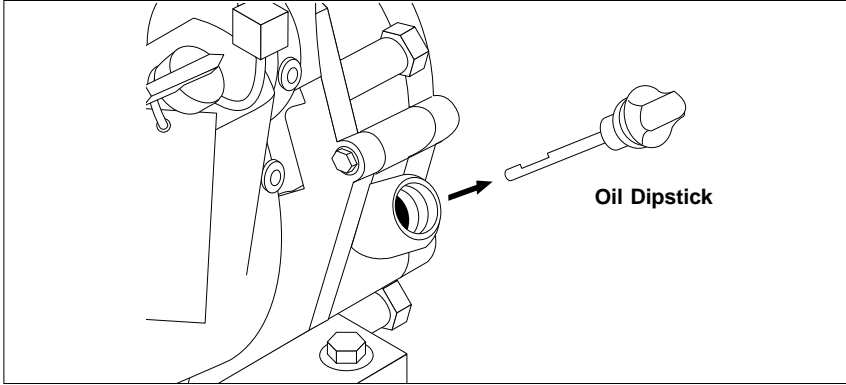


STEP 6: Connect garden hose to the cold water source.

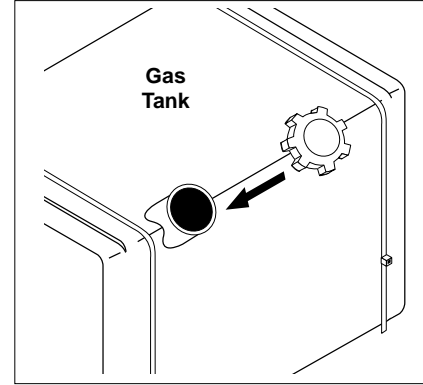


STEP 7: Check inlet filters, remove debris, then connect the garden hose. **CAUTION: Do not run the pump without water or pump damage will result.**

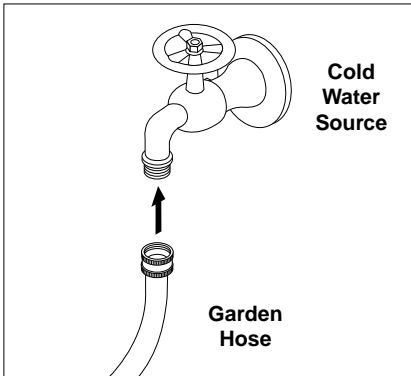
OPERATING INSTRUCTIONS



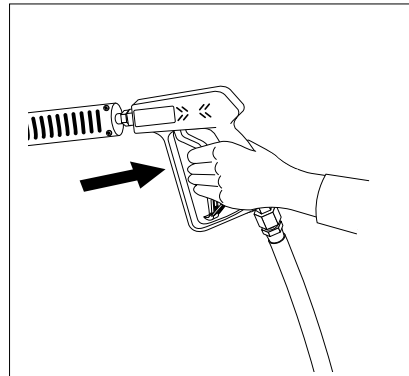
STEP 1: Check engine oil level. Oil level should be level with the bottom of the oil filler neck. Be sure the machine is level when checking the oil level. (Refer to the engine's operating manual included with machine.) We recommend that the oil be changed after the first 5 hours of use, then once every 50 hours. **Note:** Improper oil levels will cause low oil sensor to shut off engine. **IMPORTANT! Do not run engine with high or low oil levels as this will cause engine damage.**



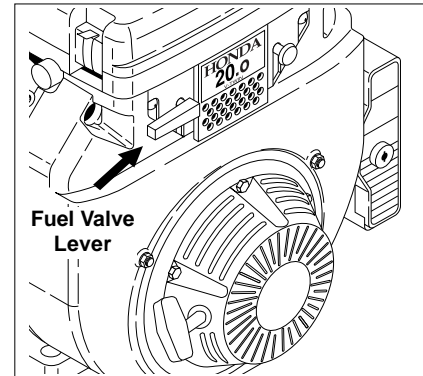
STEP 2: Fill gas tank with unleaded gasoline. Do not use leaded gasoline.



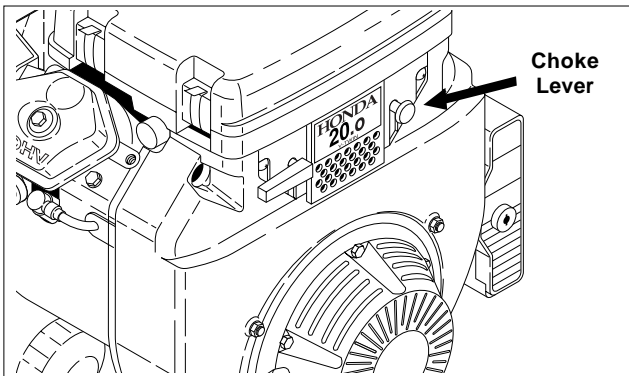
STEP 3: Connect garden hose to the cold water source and turn water on completely. Never use hot water.



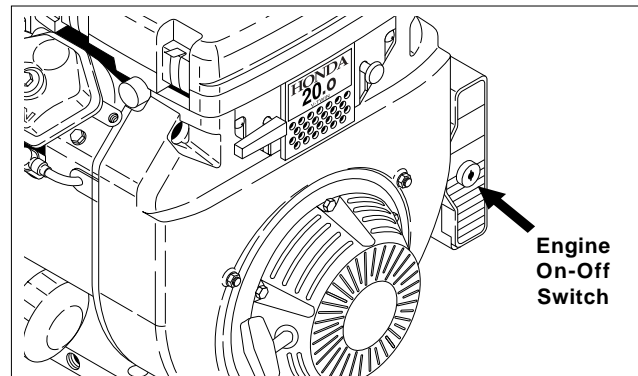
STEP 4: Trigger the spray gun to eliminate trapped air then wait for a steady flow of water to emerge from the spray nozzle.



STEP 5: Rotate the fuel shut-off valve to the "On" position. Slide the fuel valve lever to the "ON" position. When the engine is not in use, leave the fuel valve in the "OFF" position.

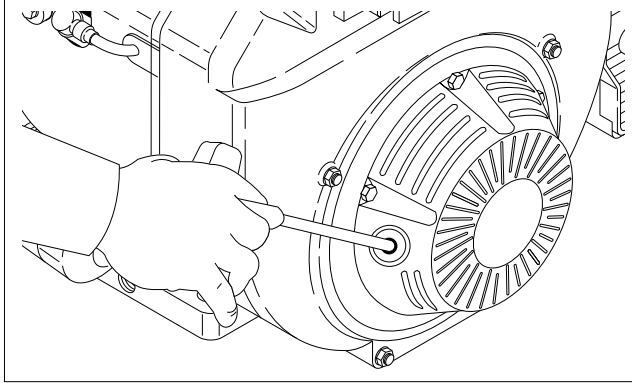


STEP 6: Pull the choke lever out to the "Choke" position (on a warm engine, leave the choke lever in the run position). Push the choke lever to the "Closed" position. To restart a warm engine, leave the choke lever in the "Open" position.



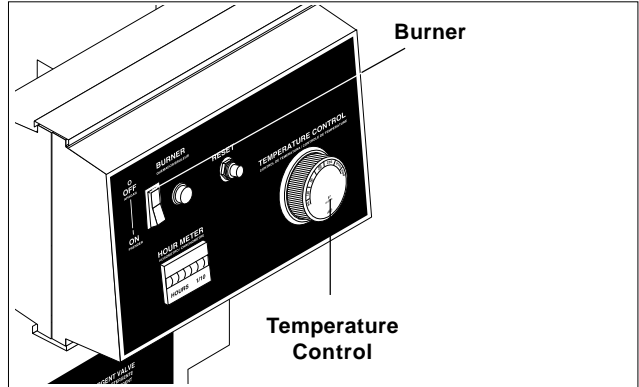
STEP 7: Turn the engine switch to "Start" position.

OPERATING INSTRUCTIONS

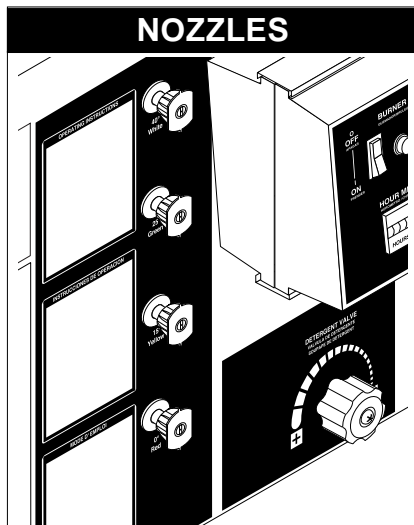


STEP 8: Pull the starter grip. If the engine fails to start after 2 pulls, squeeze the trigger gun to release pressure and repeat step. Return starter gently. After the engine warms up enough to run smoothly, move choke to run position and throttle to fast position.

CAUTION: Small engines may kick back. Do not hold pull starter grip tightly in hand.

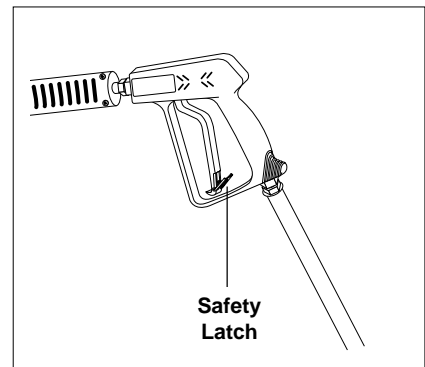


STEP 9: Turn the burner "ON". Turn temperature control dial to the 210° mark.



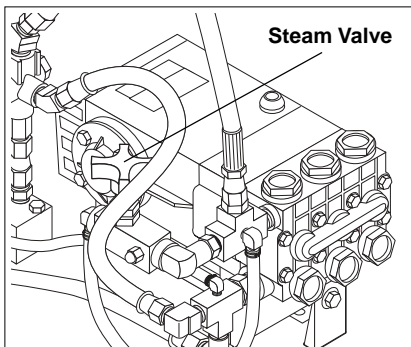
The four color-coded quick connect nozzles provide a wide array of spray widths from 0° to 45° and are easily accessible when placed in the convenient rubber nozzle holder, which is provided on the front of the machine.

NOTE: For a more gentle rinse, select the white 40° or green 25° nozzle. To scour the surface, select the yellow 15° or red 0° nozzle. To apply detergent select the black nozzle.



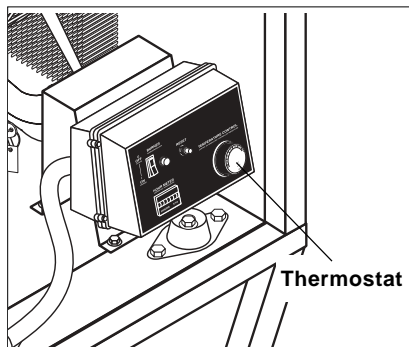
WARNING! Never replace nozzles without engaging the safety latch on the spray gun trigger.

STEAM COMBINATION

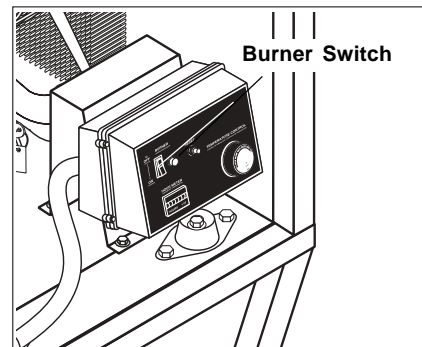


Step 1: For steam, open the steam valve counterclockwise.

This lowers the pressure and raises the temperature.



Step 2: Turn the thermostat knob to the 270° mark, (The thermostat is a high limit device and does not regulate temperature.)

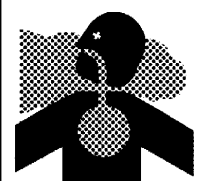


Step 3: To stop, reverse steps. Set all controls to their original settings.

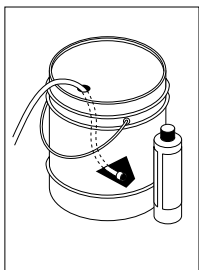
Step 4: Turn burner switch off, open trigger on spray gun and allow water to cool.

APPLYING DETERGENT & GENERAL OPERATING TECHNIQUES

WARNING

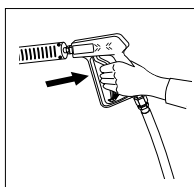
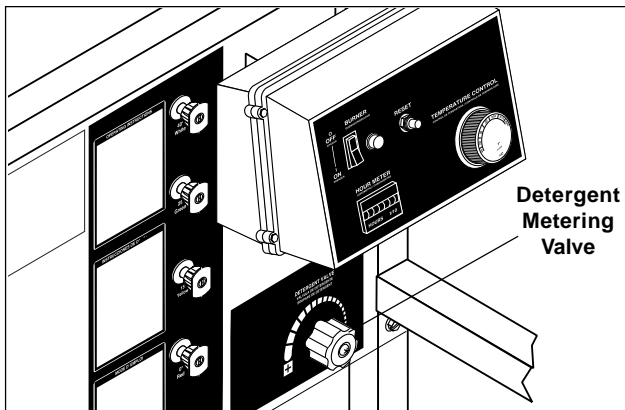


WARNING: Some detergents may be harmful if inhaled or ingested, causing severe nausea, fainting or poisoning. The harmful elements may cause property damage or severe injury.



STEP 1: Use detergent designed specifically for pressure washers. Household detergents could damage the pump. Prepare detergent solution as required by the manufacturer. Fill a container with pressure washer detergent. Place the filter end of detergent suction tube into the detergent container.

STEP 2: Open detergent metering valve. Detergent will be drawn into the pump and coil and discharged under pressure. Never use anything that will damage the pump and coil.



STEP 3: With the engine running, pull trigger to operate machine. Liquid detergent is drawn into the machine and mixed with water. Apply detergent to work area. Do not allow detergent to dry on surface.

IMPORTANT: You must flush the detergent from your machine after each use by placing the suction tube into a bucket of clean water and then running the pressure washer for 1-2 minutes.

THERMAL PUMP PROTECTION

If you run the engine on your pressure washer for 3-5 minutes without pressing the trigger on the spray gun, circulating water in the pump can reach high temperatures. When the water reaches this temperature, the

pump protector engages and cools the pump by discharging the warm water onto the ground. This thermal device prevents internal damage to the pump.

CLEANING TIPS

Pre-rinse cleaning surface with fresh water. Place detergent suction tube directly into cleaning solution and apply to surface at low pressure (for best results, limit your work area to sections approximately 6 feet square and always apply detergent from bottom to top). Allow detergent to remain on surface 1-3 minutes. Do not allow detergent to dry on surface. If surface appears to be drying, simply wet down surface with fresh water. If needed, use brush to remove stubborn dirt. Rinse at high pressure from top to bottom in an even sweeping motion keeping the spray nozzle approximately 1 foot from cleaning surface. Use overlapping strokes as you clean and rinse any surface. For best surface cleaning action spray at a slight angle.

Recommendations:

- Before cleaning any surface, an inconspicuous area should be cleaned to test spray pattern and distance for maximum cleaning results.
- If painted surfaces are peeling or chipping, use extreme caution as pressure washer may remove the loose paint from the surface.
- Keep the spray nozzle a safe distance from the surface you plan to clean. High pressure wash a small area, then check the surface for damage. If no damage is found, continue to pressure washing.

CAUTION - Never use:

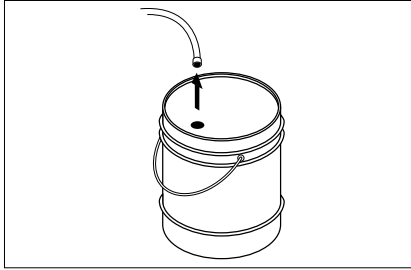
- Bleach, chlorine products and other corrosive chemicals
- Liquids containing solvents (i.e., paint thinner, gasoline, oils)
- Tri-sodium phosphate products
- Ammonia products
- Acid-based products

These chemicals will harm the machine and will damage the surface being cleaned.

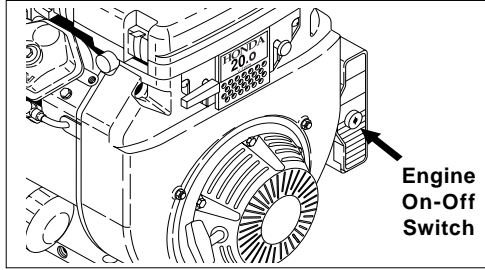
RINSING

- It will take a few seconds for the detergent to clear. Apply safety latch to spray gun. Remove black soap nozzle from the quick coupler. Select and install the desired high pressure nozzle. **NOTE:** You can also stop detergent from flowing by simply removing detergent siphon tube from bottle.

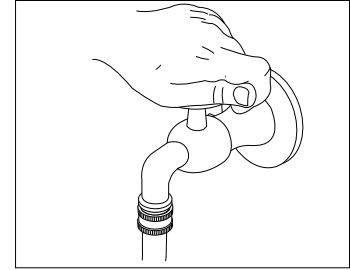
SHUTTING DOWN AND CLEAN-UP



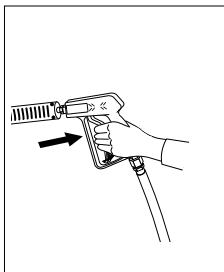
STEP 1: Remove detergent suction tube from container and insert into one gallon of fresh water. Open detergent metering valve. Pull trigger on spray gun and siphon water for one minute. Close detergent valve.



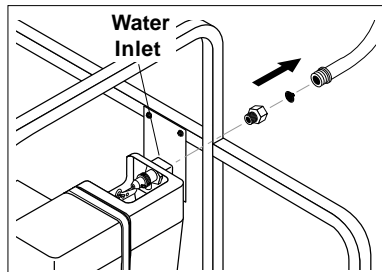
STEP 2: Turn off the engine.



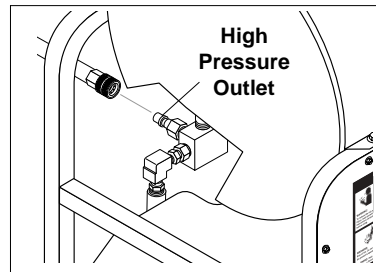
STEP 3: Turn off water supply.



STEP 4: Press trigger to release water pressure.



STEP 5: Disconnect the garden hose from the water inlet on the machine.



STEP 6: Disconnect the high pressure hose from high pressure outlet.



STEP 7: Engage the spray gun safety lock.

STORAGE

CAUTION: Always store your pressure washer in a location where the temperature will not fall below 32°F (0°C). The pump in this machine is susceptible to permanent damage if frozen. **FREEZE DAMAGE IS NOT COVERED BY WARRANTY.**

1. Stop the pressure washer, squeeze spray gun trigger to release pressure.
2. Detach water supply hose and high pressure hose.
3. Turn on the machine for a few seconds, until remaining water exits. Turn engine off immediately.
4. Drain the gas and oil from the engine.
5. Do not allow high pressure hose to become kinked.
6. Store the machine and accessories in a room which does not reach freezing temperatures.

CAUTION: Failure to follow the above directions will result in damage to your pressure washer.

When the pressure washer is not being operated or is being stored for more than one month, follow these instructions:

1. Replenish engine oil to upper level.
2. Drain gasoline from fuel tank, fuel line, fuel valve and carburetor.
3. Pour about one teaspoon of engine oil through the spark plug hole, pull the starter grip several times and replace the plug. Then pull the starter grip slowly

until you feel increased pressure which indicates the piston is on its compression stroke and leave it in that position. This closes both the intake and exhaust valves to prevent rusting of cylinder.

4. Cover the pressure washer and store in a clean, dry place that is well ventilated away from open flame or sparks. **NOTE:** The use of a fuel additive, such as STA-BIL®, or an equivalent, will minimize the formulation of fuel deposits during shortage. Such additives may be added to the gasoline in the fuel tank of the engine, or to the gasoline in a storage container.

After Extended Storage



CAUTION: Prior to restarting, thaw out any possible ice from pressure washer hoses, spray gun or wand.

Engine Maintenance

During the winter months, rare atmospheric conditions may develop which will cause an icing condition in the carburetor. If this develops, the engine may run rough, lose power and may stall. This temporary condition can be overcome by deflecting some of the hot air from the engine over the carburetor area. **NOTE:** Refer to the engine manufacturer's manual for service and maintenance of the engine.

MAINTENANCE

PREVENTATIVE MAINTENANCE

1. Check to see that water pump is properly lubricated.
2. Follow winterizing instructions to prevent freeze damage to pump and coils.
3. Always neutralize and flush detergent from system after use.
4. If water is known to have high mineral content, use a water softener in your water system, or de-scale as needed.
5. Do not allow acidic, caustic or abrasive fluids to be pumped through system.
6. Always use high grade quality cleaning products.
7. Never run pump dry for extended periods of time.
8. Use clean fuel: kerosene, No. 1 fuel oil, or diesel. Clean or replace fuel filter every 100 hours of operation. Avoid water contaminated fuel as it will damage the fuel pump.
9. If machine is operated with smoky or eye burning exhaust, coils will soot up, not letting water reach maximum operating temperature.
10. Never allow water to be sprayed on or near engine or burner assembly or any electrical component.
11. Periodically delime coils as per instructions.
12. Check to see that engine is properly lubricated.

It is advisable, periodically, to visually inspect the burner. Check air inlet to make sure it is not clogged or blocked. Wipe off any oil spills and keep equipment clean and dry.

The flow of combustion and ventilating air to the burner must not be blocked or obstructed in any manner.

The area around the pressure washer should be kept clean and free of combustible materials, gasoline and other flammable vapors and liquids.

MAINTENANCE AND SERVICE

Unloader Valves:

Unloader valves are preset and tested at the factory before shipping. Occasional adjustment of the unloader may be necessary to maintain correct pressure.

Winterizing Procedure:

Damage due to freezing is not covered by warranty. Adhere to the following cold weather procedures whenever the washer must be stored or operated outdoors under freezing conditions.

During winter months, when temperatures drop below 32°F, protecting your machine against freezing is necessary. Store the machine in a heated room. If this is not possible then mix a 50/50 solution of anti-freeze and water in the float tank. Turn the engine on to siphon the anti-freeze mixture through the machine. If

compressed air is available, an air fitting can be screwed into the float tank by removing the float tank strainer and fitting. Then inject the compressed air. Water will be blown out of the machine when the trigger on the spray gun is opened.

High Limit Hot Water Thermostat:

For safety, each machine is equipped with a temperature sensitive high limit control switch. In the event that the water should exceed its operating temperature, the high limit control will turn the burner off until the water cools then it will automatically reset itself. The thermostat sensor is located on the discharge side of the heating coil. The thermostat control dial is located on the control panel.

Pumps:

Before running the pump check the pump crankcase for a proper oil level. A proper oil level is indicated by the red dot in the sightglass or between the high and low marks on the dipstick. Use only SAE 30 non-detergent oil. Change the initial oil after the first 50 hours and then change the oil every 500 hours or every three months.

When draining oil, clean inside of crankcase to remove all impurities. **CAUTION:** When operating in damp places or with high temperature fluctuations oil must be changed immediately.

Cleaning of Coils:

In alkaline water areas, lime deposits can accumulate rapidly inside the heating coil. This growth is increased by the extreme heat build up in the coil. The best preventative for liming conditions is to use high quality cleaning detergents. In areas where alkaline water is an extreme problem, periodic use of Coil Conditioner will remove lime and other deposits before coil becomes plugged. (See Deliming instructions for use of Coil Conditioner.)

Deliming Coils:

Periodic flushing of coils or optional float tank is recommended.

- Step 1 Fill a container with 4 gallons of water, then add 1 lb. of deliming powder. Mix thoroughly. Pour mixture into float tank.
- Step 2 Remove wand assembly from spray gun and put spray gun into float tank. Secure the trigger on the spray gun into the open position.
- Step 3 Turn engine on, allowing solution to be pumped through coils back into the float tank. The solution should be allowed to circulate 2- 4 hours or until the color changes.
- Step 4 After circulating solution, flush the entire system with fresh water. Clean out float tank and then reinstall wand assembly to spray gun.

MAINTENANCE

Removal of Soot from Heating Coil:

In the heating process, fuel residue in the form of soot deposits may develop between the heating coil pipe, and block air flow which will affect burner combustion. When soot has been detected on visual observation, the soot on the coil must be washed off after following the coil removal steps (See Coil Removal section).

Rupture Disk:

If pressure from pump or thermal expansion should exceed safe limits, the rupture disk will burst allowing high pressure to be discharged through hose to ground. When disk ruptures it will need to be replaced.

Fuel:

Use clean fuel oil that is not contaminated with water and debris. Replace fuel filter and drain tank every 100 hours of operation.

Use No.1 or No 2 Heating Oil (ASTM D306) only. NEVER use gasoline in your burner fuel tank. Gasoline is more combustible than fuel oil and could result in a serious explosion. NEVER use crankcase or waste oil in your burner. Fuel unit malfunction could result from contamination.

Fuel Control System:

This machine utilizes a fuel solenoid valve located on the fuel pump to control the flow of fuel to the combustion chamber. The solenoid, which is normally closed, is activated by a flow switch when water flows through it. When the operator releases the trigger on the spray gun, the flow of water through the flow switch stops, turning off the electrical current to the fuel solenoid.

The solenoid then closes, shutting off the supply of fuel to the combustion chamber. Controlling the flow of fuel in this way gives an instantaneous burn-or-no-burn situation, thereby eliminating high and low water temperatures and the combustion smoke normally associated with machines incorporating a spray gun. Periodic inspection, to insure that the fuel solenoid valve functions properly, is recommended. This can be done by operating the machine and checking to see that the burner is not firing when the spray gun is in the OFF position.

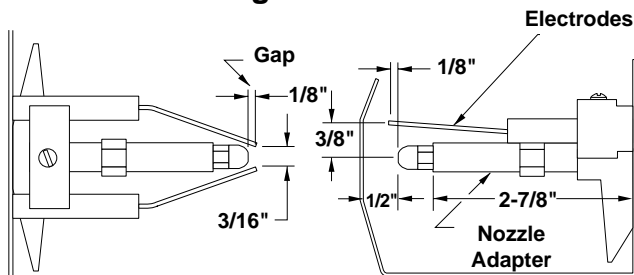
Fuel Pressure Adjustment:

To control water temperature, adjust fuel pressure by turning the regulating pressure adjusting screw clockwise to increase, counterclockwise to decrease. Do not exceed 200 psi. **NOTE:** When changing fuel pump, a bypass plug must be installed in return port or fuel pump will not prime.

Burner Nozzle:

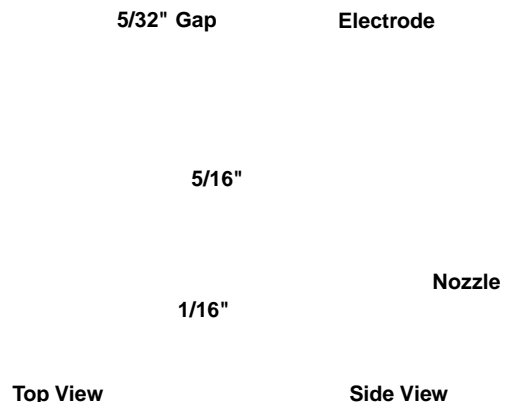
Keep the tip free of surface deposits by wiping it with a clean, solvent saturated cloth, being careful not to plug or enlarge the nozzle. For maximum efficiency, replace the nozzle each season.

Electrode Setting: Beckett



Top View Side View
Periodically Check Wiring Connections. If Necessary To Adjust Electrodes, Use Diagram.

Electrode Setting: Wayne



Top View Side View

Air Adjustment:

Machines are preset and performance tested at the factory - elevation 100'. A one-time initial correction for your location will pay off in economy, performance, and extended service life. If a smoky or eye-burning exhaust is being emitted from the stack, two things should be checked. First, check the fuel to be certain that kerosene or No. 1 home heating fuel is being used. Next, check the air adjustment on the burner.

To adjust, start machine and turn burner ON. Loosen two locking screws found in the air shutter openings (refer to illustration) and close air shutter until black smoke appears from burner exhaust vent. Note air band position. Next, slowly open the air shutter until white smoke just starts to appear. Turn air shutter halfway back to the black smoke position previously noted. Tighten locking screws.

If the desired position cannot be obtained using only the air shutter, lock the air shutter in as close a position as can be obtained, then repeat the above procedure on the air band setting.

MAINTENANCE

Coil Removal:

Removal of coil because of freeze breakage, or to clean soot from it can be done quickly and easily.

1. Disconnect hose from pump to inlet side of the coil.
2. Carefully disconnect the thermostat sensor making sure you do not crimp the capillary tube.
3. Remove burner assembly from combustion chamber.
4. Remove the 3-3/8" bolts from each side of coil and tank assembly (these bolts are used to fasten tank to chassis).
5. Remove fittings connected to the 1/2" pipe nipples from inlet and discharge sides of coil.
6. Remove top tank wrap, bend back insulation tabs and fold back blanket.
7. Remove bolts that hold down coil to bottom wrap.
8. Remove coil.
9. Replace or repair any insulation found to be torn or broken.
10. Remove insulation retainer plates.

Coil Reinstallation:

Reinstall new or cleaned coil by reversing Steps 9 through 1.

TROUBLESHOOTING

PROBLEM	POSSIBLE CAUSE	SOLUTION
LOW OPERATING PRESSURE	Faulty pressure gauge	Install new gauge.
	Insufficient water supply	Use larger supply hose; clean filter at water inlet.
	Old, worn or incorrect spray nozzle	Match nozzle number to machine and/or replace with new nozzle.
	Belt slippage	Tighten or replace; use correct belt.
	Plumbing or hose leak	Check plumbing system for leaks. Retape leaks with teflon tape.
	Faulty or misadjusted unloader valve	Adjust unloader for proper pressure. Install repair kit when needed.
	Worn packing in pump	Install new packing kit.
	Fouled or dirty inlet or discharge valves in pump	Clean inlet and discharge valves.
	Worn inlet or discharge valves	Replace with valve kit.
	Obstruction in spray nozzle	Remove obstruction.
	Leaking pressure control valve	Rebuild or replace as needed.
	Slow engine RPM	Set engine speed at proper specifications.
	Pump sucking air	Check water supply and possibility of air seepage.
	Valves sticking	Check and clean or replace if necessary.
Unloader valve seat faulty	Check and replace if necessary.	
BURNER WILL NOT LIGHT	Little or no fuel	Fill tank with fuel.
	Improper fuel or water in fuel	Drain fuel tank and fill with proper fuel.
	Clogged fuel line	Clean or replace.
	Plugged fuel filter	Replace as needed.
	Misadjusted burner air bands	Readjust air bands for clean burn.
	Little or no fuel pressure from fuel pump	Increase fuel pressure to specification and/or replace fuel pump. Test with pressure gauge.
	Faulty burner transformer	Test transformer for proper arc between contacts. Replace as needed.
	Disconnected or short in electrical wiring	All wire contacts should be clean and tight. No breaks in wire.
(continued on next page)		

TROUBLESHOOTING

PROBLEM	POSSIBLE CAUSE	SOLUTION
BURNER WILL NOT LIGHT (continued from previous page)	Flex coupling slipping on fuel pump shaft or burner motor shaft	Replace if needed.
	On-Off switch defective	Check for electrical current reaching burner assembly with burner switch on.
	Heavy sooting on coil and burner can cause interruption of air flow and shorting of electrodes	Clean as required.
	Improper electrode setting	Check and reset according to diagram in Operator's Manual.
	Fuel not reaching combustion chamber	Check fuel pump for proper flow. Check solenoid flow switch on machines with spray gun control, for proper on-off fuel flow control.
	Clogged burner nozzle	Clean as required.
	Thermostat faulty or slow engine speed	Increase engine RPM to increase voltage.
	Flow switch malfunction	Remove, test for continuity and replace as needed.
	Flow solenoid malfunction	Replace if needed.
FLUCTUATING PRESSURE	Valves worn	Check and replace if necessary.
	Blockage in valve	Check and replace if necessary.
	Pump sucking air	Check water supply and air seepage at joints in suction line.
	Worn piston packing	Check and replace if necessary.
MACHINE SMOKES	Improper fuel or water in fuel	Drain tank and replace contaminated fuel.
	Improper air adjustment	Readjust air bands on burner assembly.
	Low fuel pressure	Adjust fuel pump pressure to specifications.
	Plugged or dirty burner nozzle	Replace nozzle.
	Faulty burner nozzle spray pattern	Replace nozzle.
	Heavy accumulation of soot on coils and burner assembly	Remove coils and burner assembly, clean thoroughly.
	Misaligned electrode setting	Realign electrodes to specifications.
	Obstruction in smoke stack	Check for insulation blockage or other foreign objects.
	Low engine RPM	Increase RPM.

TROUBLESHOOTING

PROBLEM	POSSIBLE CAUSE	SOLUTION
LOW WATER TEMPERATURE	Improper fuel or water in fuel	Replace with clean and proper fuel.
	Low fuel pressure	Increase fuel pressure.
	Weak fuel pump	Check fuel pump pressure. Replace pump if needed.
	Fuel filter partially clogged	Replace as needed.
	Soot build-up on coils not allowing heat transfer	Clean coils.
	Improper burner nozzle	See burner specifications.
WATER TEMPERATURE TOO HOT	Incoming water to machine warm or hot	Lower incoming water temperature.
	Fuel pump pressure too high	See specifications for proper fuel pressure.
	Fuel pump defective	Replace fuel pump.
	Detergent line sucking air	Tighten all clamps. Check detergent lines for holes.
	Defective temperature switch	Replace.
	Incorrect fuel nozzle size	See burner specifications for proper fuel pressure.
	Insufficient water supplied	Check water G.P.M. to machine.
	Restricted water flow	Check nozzle for obstruction, proper size.
PUMP NOISY	Air in suction line	Check water supply and connections on suction line.
	Broken or weak inlet or discharge valve springs	Check and replace if necessary.
	Excessive matter in valves	Check and clean if necessary.
	Worn bearings	Check and replace if necessary.
PRESENCE OF WATER IN OIL	Oil seal worn	Check and replace if necessary.
	High humidity in air	Check and change oil twice as often.
WATER DRIPPING FROM UNDER PUMP	Piston packing worn	Check and replace if necessary.
	O-Ring plunger retainer worn	Check and replace if necessary.
	Cracked piston	Check and replace if necessary.
	Pump protector	Lower water supply pressure. Do not run with spray gun closed longer than 2 minutes.

TROUBLESHOOTING

PROBLEM	POSSIBLE CAUSE	SOLUTION
OIL DRIPPING	Oil seal worn	Check and replace if necessary.
EXCESSIVE VIBRATION IN DELIVERY LINE	Irregular functioning of the valves	Check and replace if necessary.
DETERGENT NOT DRAWING	Air leak	Tighten all clamps. Check detergent lines for holes.
	Restrictor in float tank is missing	Replace restrictor. Check for proper orifice in restrictor.
	Filter screen on detergent suction hose plugged	Clean or replace.
	Dried up detergent plugging metering valve	Disassemble and clean thoroughly.
	High viscosity of detergent	Dilute detergent to specifications.
	Hole in detergent line(s)	Repair hole.
	Low detergent level	Add detergent, if needed.
PUMP RUNNING NORMALLY BUT PRESSURE LOW ON INSTALLATION	Pump sucking air	Check water supply and possibility of air seepage.
	Valves sticking	Check and clean or replace if necessary.
	Nozzle incorrectly sized	Check and replace if necessary (See serial plate for proper size).
	Unloader valve seat faulty	Check and replace if necessary.
	Worn piston packing	Check and replace if necessary.
BURNER MOTOR WILL NOT RUN	Fuel pump seized	Replace fuel pump.
	Burner fan loose or misaligned	Position correctly, tighten set screw.
	Defective control switch	Replace switch.
	Loose wire	Check and replace or tighten wiring.
	Defective burner motor	Replace motor.
RELIEF VALVE LEAKS WATER	Relief valve defective	Replace or repair.

PREVENTATIVE MAINTENANCE

This pressure washer was produced with the best available materials and quality craftsmanship. However, you as the owner have certain responsibilities for the correct care of the equipment. Attention to regular preventative maintenance procedures will assist in preserving the performance of your equipment. Contact your dealer for maintenance. Regular preventative maintenance will add many hours to the life of your pressure washer. Perform maintenance more often under severe conditions.

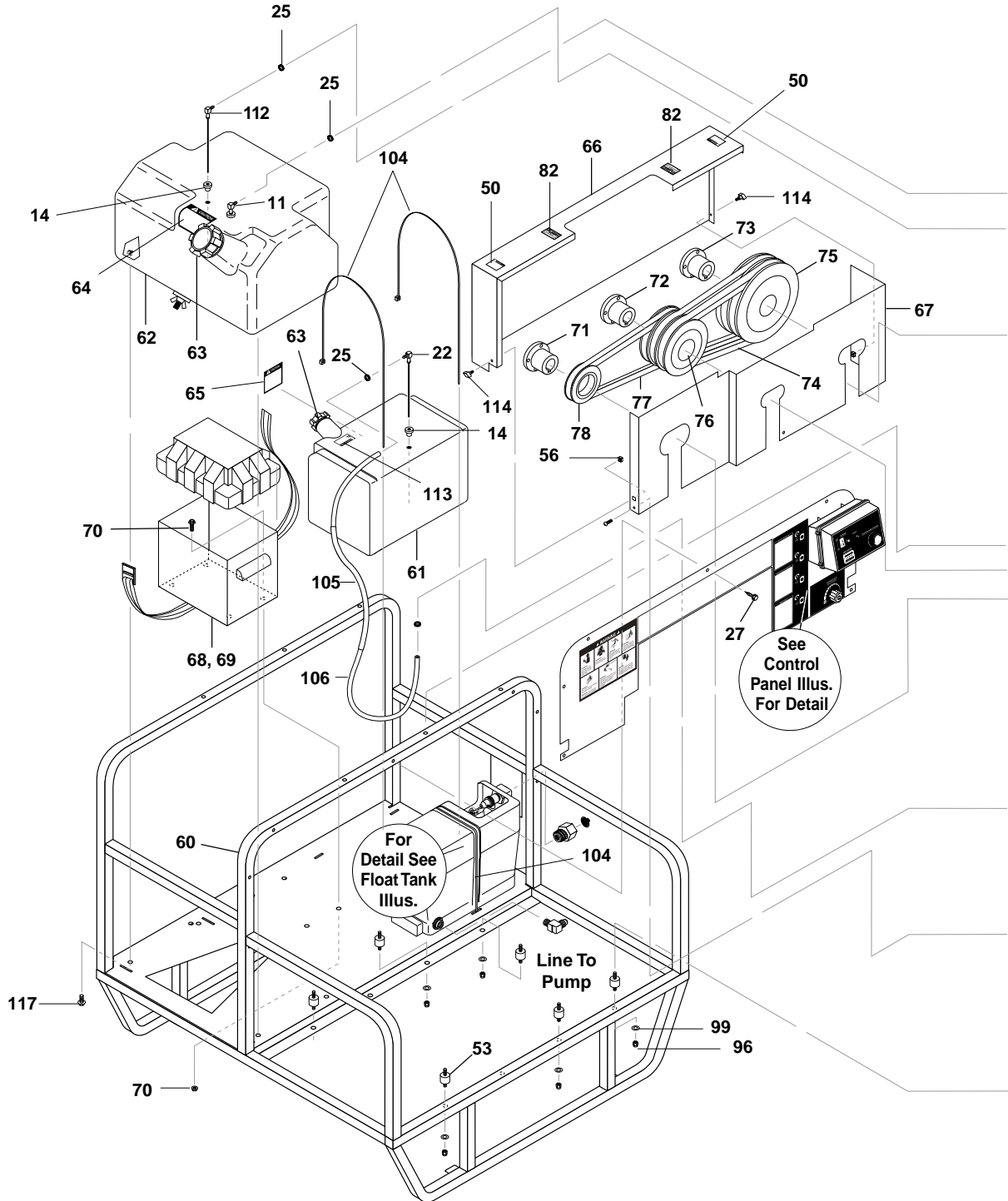
Check pump oil level before first use of your new pressure washer. **Change** pump oil after first 50 hours and every 3 months or 500 hours thereafter. Use SAE 30 weight oil, non-detergent.

Date Oil Changed Month/Day/Year	No. of Operating Hours Since Last Oil Change	Brand Name and Type of Oil (see above)

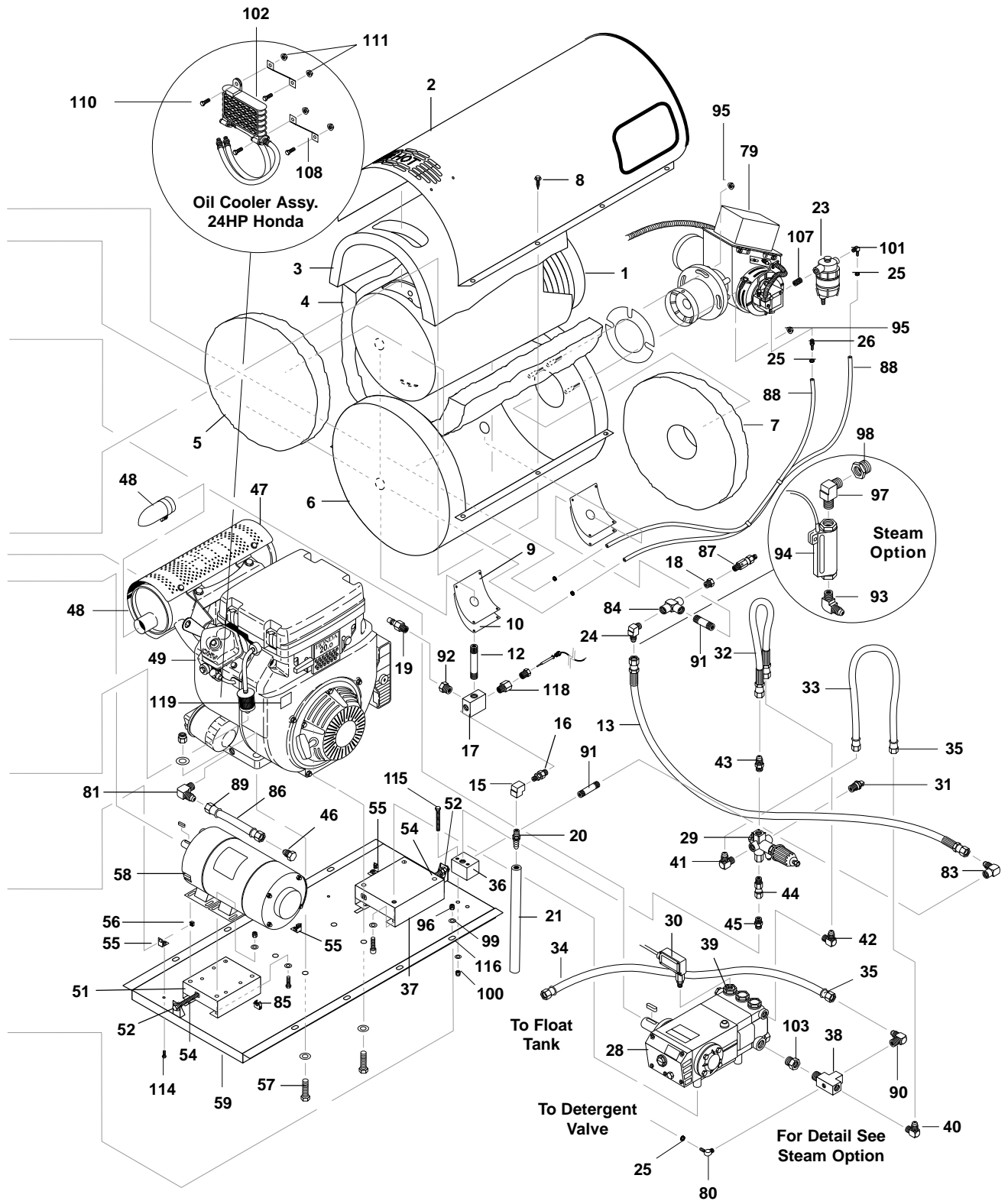
MAINTENANCE

Maintenance Operation		Every 8 Hrs or Daily	25 Hrs or Weekly	50 Hrs or Monthly	100 Hrs or Yearly	Yearly
Check Oil	Pump		X			
	Engine	X				
Change Oil	Pump					X
	Engine			X		
Air Cleaner		Check		Clean		
Spark Plug					X	
Check Valve Clearance						X
Fuel Tank Filter					X	
Water Filter/Clean		Check				X

EXPLODED VIEW



EXPLODED VIEW



EXPLODED VIEW PARTS LIST

ITEM	PART NO.	DESCRIPTION	QTY	ITEM	PART NO.	DESCRIPTION	QTY
1	95-07200055	Coil, Rodless	1	31	2-300816	Pump Protector, 3/8" FNPT	1
2	95-07200010 2-01104	Top Wrap, SS ▲ Trim	1 6 ft.	32	4-02047716	Pressure Hose 3/8" x 16"	1
3	7-01484	Insulation/Blanket, Die Cut 28" x 24"	1	33	4-02110000	Hose 1/2" Push On	17 in
4	7-01430	Insulation/Blanket, No Foil, 24" x 57"	1	34	4-02110000	Hose, 1/2" Push On	2 ft.
5	7-0140	Insulation, Burner Head No Hole	1	35	2-1105	Push On JIC, 1/2"	4
6	95-07200012 90-1019	Weldment, Bottom Wrap, SS1 ▲ Bolt, 3/8" - 16 x 1-3/4"	1 2	36	95-071012150/B	Block, Unloader, 1/2" x 1/2", Brass	1
7	7-0141	Insulation, Burner Head, w/Hole	1	37	95-07200054 2-011981 90-1016 90-4009	Rail, Pump ▲ Washer, Snubbing ▲ Bolt, 3/8 x 1" NC HH ▲ Washer, 3/8" Lock Split Ring	1 3 3 3
8	90-19959	Screw, 3/8" x 1" HX Wash Head, Sheet Metal	8	38	2-10421 2-10422	Tee, 1/2", w/1/8" Hole, Street Tee, 1/2", w/1/8" Hole, Street (Steam Option)	1 1
9	7-0144	Gasket, Burner Plate	2	39	1-190029 15-070042532	Cap, Valve, General Pump, W/ Steam Option Cap, Valve, Legacy Pump, W/ Steam Option	1 2 1 2
10	95-07121113 90-2990	Insulation Retainer Plate ▲ Screw, SS #10, HH Tek	2 8	40	2-1062	Elbow, 1/2" JIC x 1/2", 90°	1
11	2-010066	Elbow, Zinc	1	41	2-1060	Elbow, 1/2" x 3/8, 90°	1
12	2-00101	Nipple, 1/2" x 4" Galv. Sch 80	1	42	2-0053	Elbow, 1/2" MJIC x 3/8" MNPT	1
13	4-02047748	Hose 3/8" x 48", 2 Wire Pressure	1	43	2-0051	Nipple, 1/2" MJIC x 3/8" MNPT	1
14	2-010061	Bushing, Rubber	3	44	2-0079	Swivel, 1/2" JIC Fem, 3/8" Male	1
15	2-1019	Elbow 3/8" Female	1	45	2-0052	Nipple, 1/2" JIC, 1/2" Pipe	1
16	2-3409	Disk Rupture Assy, 7000 PSI	1	46	2-1050	Plug, 1/2" Flare (5030, 5035, 6035)	1
17	95-07101226	Block, Discharge, Brass, 1/2" x 1/2"	1	47	95-07200015 95-07200048 90-19925	Heat Shield (Honda) (5035, 6035) ▲ Heat Shield (Vanguard) ▲ Screw, M6 x 20mm, BH (Honda) (5035, 6035)	1 1 4
18	2-00681	Bushing, 1/2" x 3/8"	2	48	77-VHRM4 79-11465813800 76-807965 90-805849	Muffler (Honda) (5035, 6035) Exhaust Deflector (Honda) (5035, 6035) ▲ Muffler (Vanguard) ▲ Screw, HH, 1/4" - 20 x 1/2" (Vanguard)	1 1 1 4
19	2-2007	Nipple, 3/8" x 3/8" NPT ST Male	1	48	90-19711 95-07101149 95-071011491 95-07200048 90-200012 90-20231	▲ Screw, HH, WL, 1/4" - 20 x 1/2" (Vanguard) ▲ Muffler Guard (Vanguard) ▲ Brace (Vanguard) ▲ Shield, Heat (Vanguard) ▲ Nut, 1/4 Flange, Zinc (Vanguard) ▲ Nut, Cage, 1/4 x 12 Ga. (Vanguard)	1 5 2 1 3 2
20	2-1108	Hose Barb, 1/2" Barb x 3/8" MPT, Push-On	1				
21	4-02110000	Hose, 1/2" Push-On	2 ft.				
22	2-010067	Diptube, Plastic, 9.125" Long (5030, 5035, 6035)	1				
23	2-99050	Filter, Fuel Oil/H ₂ O Separator	1				
24	2-0054	Elbow, 1/2" MNPT x 1/2" MJIC, Steel	1				
25	2-9040	Clamp, Hose, UNI .46 - .54	6				
26	2-1085	Hose Barb, 1/4" Barb x 1/4" Pipe	1				
27	90-300210	Screw, #14 Tek, Black, Zinc	11				
28	Pump, See Specifications Pages 30-31						
29	5-3208	Unloader AL607	1				
30	6-021720	Pressure Switch	1				

EXPLODED VIEW PARTS LIST

ITEM	PART NO.	DESCRIPTION	QTY	ITEM	PART NO.	DESCRIPTION	QTY
49	Engine, See Specifications Pages 30-31 76-91540	▲ Key, Shaft	1	62	2-01150800	Fuel Tank, 9 Ga. (Burner)	1
50	10-02028	Label, Belt Guard (Long) (Short)	2 1	63	2-01167	Cap, Fuel, Plastic	2
51	95-07200009 90-1016	Pump/Rail Generator ▲ Bolt, 3/8" x 1", NC HH (w/Generator)	1 7	64	10-020110	Label, Caution, Diesel	1
	2-011981	▲ Washer, Snubbing (w/Generator)	3	65	10-02011	Label, Caution, Unleaded	1
	90-4009	▲ Washer, 3/8", Lock (w/Generator)	3	66	95-07200004 95-07200006	Weldment, Belt Guard, Long (w/Generator) ▲ Weldment, Belt Guard, Short (5030, 5035, 6035)	1 1
52	95-07200016	Bracket, Belt Tension (w/Generator)	1 2	67	95-07200005 95-072000052	Weldment, Face Plate, Long Red (w/Generator) Weldment, Face Plate w/Blk, Long	1 1
	90-2001	▲ Nut, 5/16", ESNA, NC (w/Generator)	2 4	68	2-0115001	Battery Box, Large	1
	90-1007	▲ Bolt, 5/16", NC (w/Generator)	2 4	69	2-011500	Plate, Battery Box, Large	1
	90-4001	Washer, 5/16", Flat (w/Generator)	2 4	70	90-1996 90-20040	Screw, 3/8" x 3/4" HH NC Whiz Loc ▲ Nut, 3/8", Flange Whiz Loc	4 4
53	2-01016	Mount, Rubber	6	71	5-511063	Bushing, H x 5/8" (Generator)	1
54	90-10220	Bolt, 3/8" x 3-1/2" SAE (w/Generator)	1 2	72	Bushing, Engine, See Specifications Page 30		
	90-2007	▲ Nut, 3/8" Hex, NC (w/Generator)	2 4	73	5-512024	Bushing, Pump, H x 24 mm	1
	90-4002	▲ Washer, 3/8", SAE, Flat (w/Generator)	2 4	74	Belt, See Specifications Pages 30-31		
55	95-07102101	Tab, Belt Guard (w/Generator)	3 4	75	Pulley, See Specifications Pages 30-31		
	90-19710	▲ Screw, HH, NC, 1/4" x 3/4" (w/Generator)	6 7	76	Pulley, See Specifications Pages 30-31		
56	90-20231	Cage, Nut, 1/4" x 12 GA (w/Generator)	10 11	77	Belt, See Specifications Pages 30-31		
57	90-1020	Bolt, 3/8" x 2" NC HH (Honda)	4	78	Pulley, See Specifications Pages 30-31		
	90-1011	Bolt, 5/16" x 2" NC, HH (Vanguard)	4	79	Burner Assembly, See Burner Spec's Page 32 6-01011	▲ Cord, SEO, 16/4 (w/Gen)	3.66 ft.
57	90-4002	▲ Washer, 3/8" SAE, Flat (Honda)	9		6-0516	▲ Strain Relief, 1/2"	1
	90-2002	▲ Nut, 3/8" ESNA, NC (Honda)	4	80	2-1088	Hose Barb, 1/4" x 1/8" MNPT, 90°	1
	90-2001	▲ Nut, 5/16", ESNA, NC (Vanguard)	4	81	2-1061	Elbow, 1/2" MJIC x 1/4" MNPT (Honda) (5035, 6035)	1
	90-4001	▲ Washer, 5/16" Flat, SAE (Vanguard)	9		2-0053	Elbow, 1/2" MJIC x 3/8" MNPT (Vanguard) (5030)	1
58	6-0601	Winco Generator (E/G models)	1	82	10-02025A	Label, HOT, Long Belt Guard	2
	6-0107	▲ Cord, Molded (w/Generator)	1			Short Belt Guard	1
59	95-07200003	Weldment, Sub-Frame	1	83	2-00602	Elbow, 1/2" FNPT x 1/2" MJIC, 90°	1
60	95-07200002 95-072000022	Weldment, Frame, Red Weldment, Frame, w/Blk	1 1	84	2-0036	Tee, 1/2" FNPT, Steel	1
61	2-0115090	Fuel Tank, 6 Ga. (Engine)	1				

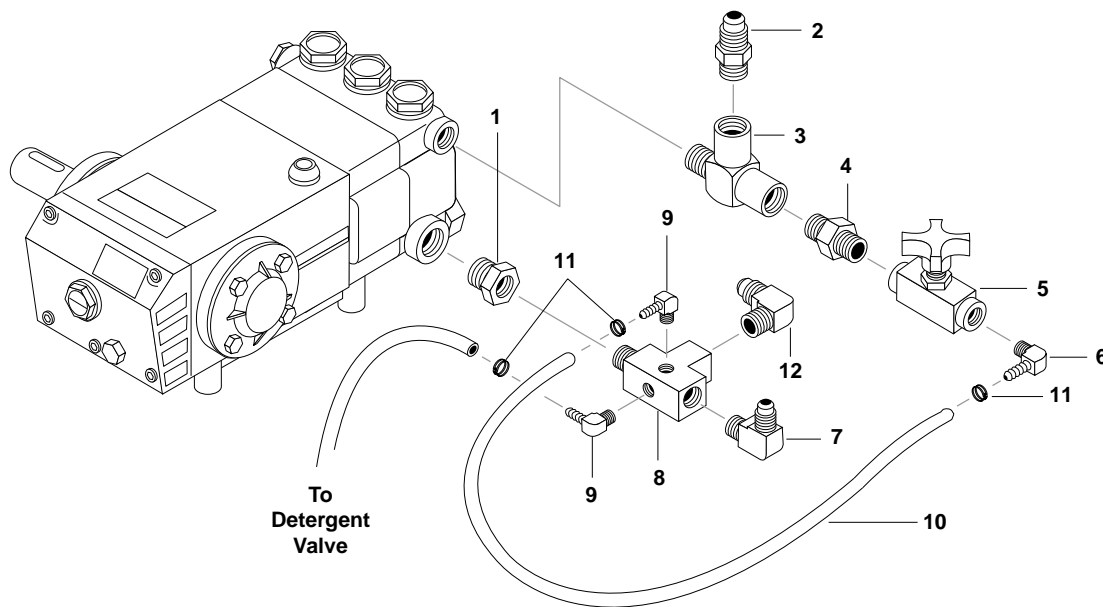
EXPLODED VIEW PARTS LIST

ITEM	PART NO.	DESCRIPTION	QTY
85	2-9013	Clamp, 1/2" Ro-Clip	1
86	4-02110000	Hose, 1/2" Push-on	1 ft.
87	2-3245	Valve, Safety Relief, 4500 PSI	1
88	4-02100000	Hose, 1/4" Push-On Fuel Line (60")	2
89	2-1105	Swivel, 1/2 JIC Fem (5030, 5035, 6035)	2
90	2-10630	Elbow, 3/4" JIC x 1/2" Male	1
91	2-000891	Nipple, 1/2" x 2-1/2", Galv. SCH 80 Pipe	2
92	2-00681	Bushing, 1/2" MNPT x 3/8" FNPT Steel	1
93	2-0053	Elbow, 1/2 JIC x 3/8 Male Pipe (Steam Option)	1
94	6-021730	Switch MV60(Steam Option)	1
95	90-20040	Nut, Flange, Whiz Loc	3
96	90-2001	Nut, 5/16", ESNA, NC	12
97	2-00270	Elbow, 3/8 Male Pipe (Steam Option)	1
98	2-00681	Bushing, 1/2" x 3/8", Steel (Steam Option)	1
99	90-4001	Washer, 5/16", Flat, SAE	12
100	90-2002	Nut, 3/8" ESNA, NC	2
101	2-1089	Hose Barb, 1/4" x 1/4" Pipe, 90°	1

ITEM	PART NO.	DESCRIPTION	QTY
102	90-1034	Bolt, M6 x 1.0 12 x Metric 8.8 SOC, (6035E/G)	2
103	2-1081	Bushing, 3/4" x 1/2" NPT	1
104	6-05134	Cable, TY, 48"	2
105	7-0139	Insulation, 1/2" Fiber Sleaving	30"
106	4-02100000	Fuel Line, 1/4" x60" (All Models Except 11 & 13 HP Hondas)	1
107	2-1003	Nipple, 1/4" Hex	1
108	95-07200053	Bracket, Oil Cooler, 24 HP, Honda, (6035E/G)	2
109	97-6134	▲ Manual	1
110	90-1002	Bolt, 1/4" x 1" Hex Head (6035E/G)	2
111	90-200012	Nut, 1/4" Flange (6035E/G)	2
112	2-010069	Dip Tube, 10.75"	1
113	10-02029	Label, Danger, Cool Engine	1
114	90-1043	Thumb Screw, 1/4" x 20 x 1/2"	4
115	90-1021	Bolt, 3/8" x 2-1/2" Zinc	2
116	90-4002	Washer, 3/8", SAE, Flat	2
117	90-19711	Screw, 1/4"-20 x 1/2" HH, WL	4
118	2-00742	Adapter, 1/2" x 1/2" Pipe, STL	1
119	10-0624	Label, RPM Factory Set	1

▲ Not Shown

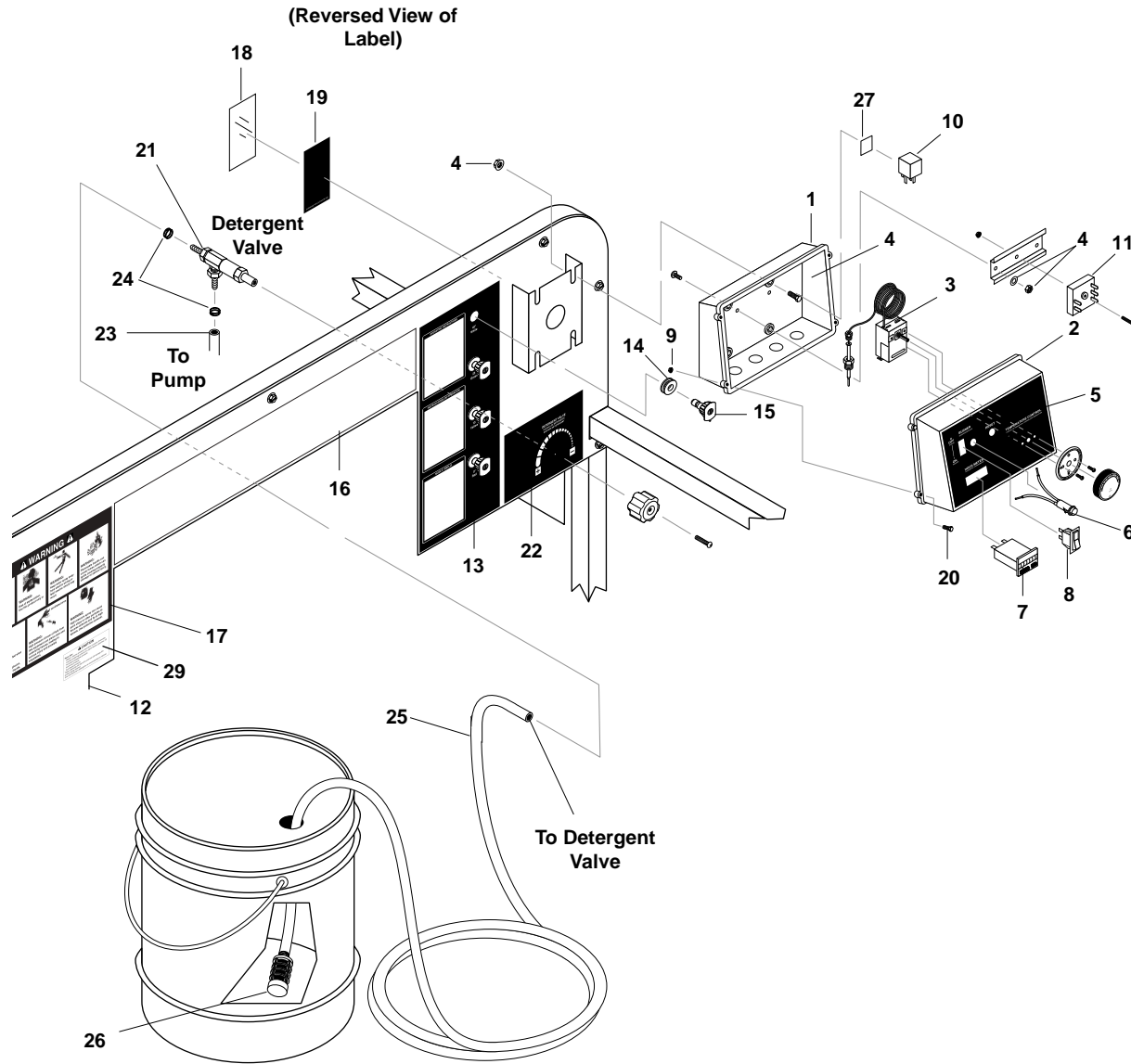
STEAM PUMP EXPLODED VIEW



STEAM PUMP PARTS LIST

ITEM	PART NO.	DESCRIPTION	QTY	ITEM	PART NO.	DESCRIPTION	QTY
1	2-1081	Bushing, 3/4" x 1/2" (Legacy Only)	1	7	2-1062	Elbow, 1/2 JIC x 1/2" MPT	1
2	2-0051	Nipple, 1/2 JIC x 3/8 MPT Steel	1	8	2-10422	Tee, 1/2 Street w/Two 1/8" MPT Holes	1
3	2-0045	Tee, 3/8 Street, Steel	1	9	2-1088	Hose Barb, 90°, 1/4 x 1/8 NPT	2
4	2-0018	Nipple, 3/8 x 1/4, Hex, Steel	1	10	4-02100000	Hose, 1/4 Push-on	8"
5	2-30151	Valve, Flow Control w/Metering	1	11	2-9040	Hose Clamp	3
6	2-1089	Hose Barb, 90°, 1/4" Barb x 1/4" Pipe,	1	12	2-10630	Elbow, 3/4" JIC x 1/2" Male	1

CONTROL PANEL EXPLODED VIEW



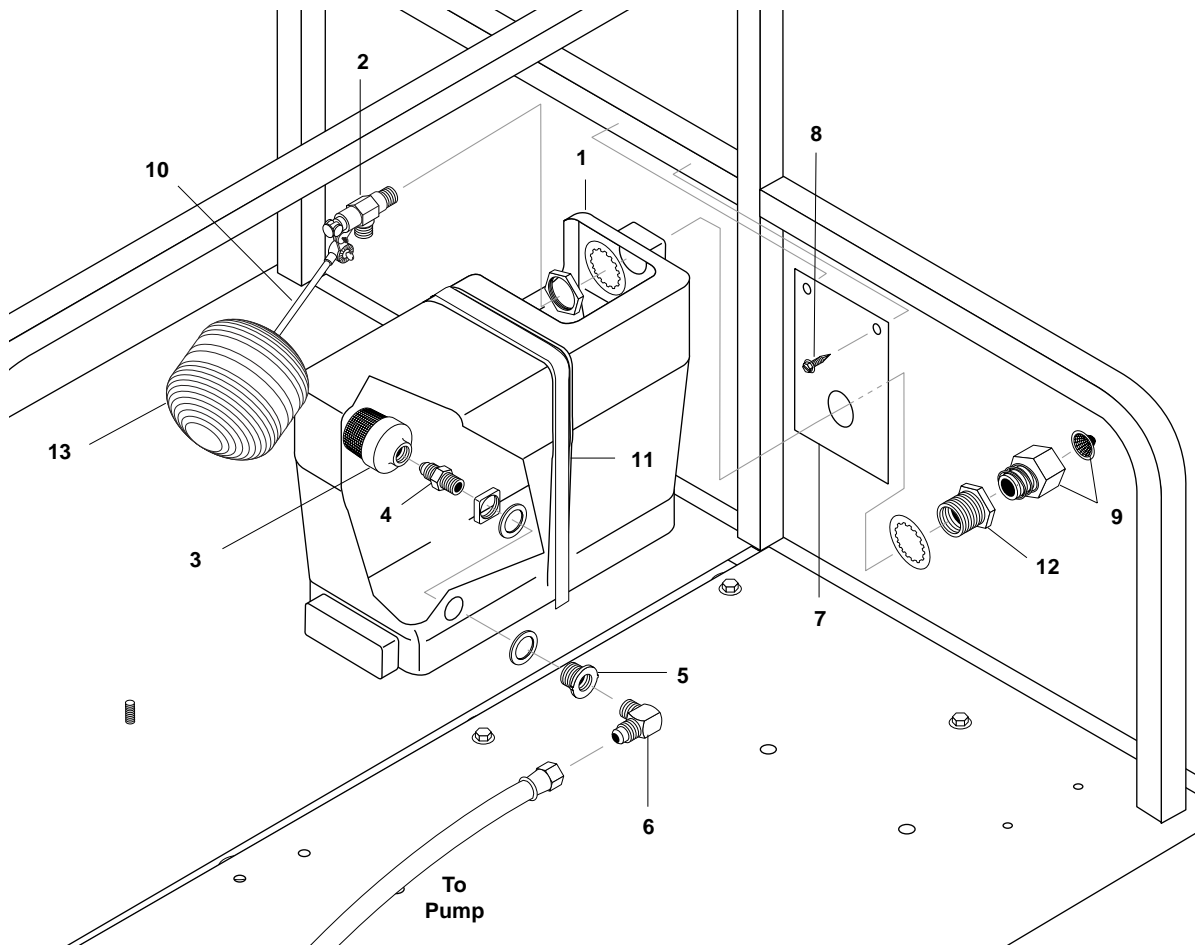
CONTROL PANEL PARTS LIST

ITEM	PART NO.	DESCRIPTION	QTY	ITEM	PART NO.	DESCRIPTION	QTY
1	6-039144	Box, Plastic, Back	1	6	6-020590	12V Indicator Light, Green	1
2	6-0391601	Box, Plastic, Front, Fabricated	1		6-020530	120V, Indicator Light, Green (503027E/G, 503537E/G, 603537E/G)	1
3	4-05088	Thermostat, 302°F	1	7	4-050823	Hour Meter, 12V, DC	1
	6-01270	▲ Conduit, Corrugated, 1/4"	3.3 ft		4-050822	Hour Meter, 120V (503537E/G, 503027E/G, 603537E/G)	1
4	90-1001	Bolt, 1/4" x 3/4" HH NC	4	8	6-020251	Switch, Corvette	1
	90-200012	Nut, 1/4" Flange Zn	4	9	70-030207	Nut	4
5	11-1047	Decal, 12V Electrical Box	1				
	11-1045	Decal, 120V Electrical Box (503027E/G, 503537E/G, 603537E/G)	1				

CONTROL PANEL PARTS LIST

ITEM	PART NO.	DESCRIPTION	QTY	ITEM	PART NO.	DESCRIPTION	QTY	
10	6-036711	Relay, 24VDC, 40 Amp (503027E)	1	15	4-12806000	Nozzle, Red, 0° (603537E/G)	1	
	2-90220	▲ Mounting Tape, Square Backed	1		4-12806015	Nozzle, Yellow, 15° (603537E/G)	1	
	90-017	▲ Nut 10/32 Keps	1		4-12806025	Nozzle, Green, 25° (603537E/G)	1	
6-0611	Rectifier, Bridge (503027E)	1	4-12806040		Nozzle, White, 40° (603537E/G)	1		
11	90-1991	Screw, 10/32" x 1/2" BH SOC Black	1	16	11-0602	Decal, Stripe	1	
	6-021595	Din Rail (12 VDC)	4"		17	11-1043	Label, Warning	1
12	95-07200008	Weldment, Control Panel, Red	1		18	10-9999	Lexan, Cover, Outdoor	1
	95-072000082	Weldment Control Panel, Black	1		19	10-08017	Label, Outdoor	1
	90-1994	▲ Screw, Ground Post 10/32" x 1-1/4"	1		20	70-180503	Screw, M4 x 10	4
	2-01411	▲ Bushing, 1" Snap	1		21	2-30152	Valve, Metering	1
13	11-1044	Decal, Operating Instructions	1		22	11-0711	Label, Metering Valve	1
14	2-0103	Grommet, Rubber, Nozzle Holder	4		23	4-02090000	Hose, Braided	2 ft.
15	4-12805000	Nozzle, Red, 0° (503537E/G)	1		24	2-9040	Clamp, Hose, UNI .46 - .54	3
	4-12805015	Nozzle, Yellow, 15° (503537E/G)	1		25	4-02080000	Hose, Clear Vinyl	6 ft.
	4-12805025	Nozzle, Green, 25° (503537E/G)	1	26	2-1905	Strainer, 1/4" Brass	1	
	4-12805040	Nozzle, White, 40° (503537E/G)	1	27	90-017	▲ Nut 10/32"	6	
	4-12805500	Nozzle, Red, 0° (503027E, 503027E/G)	1	28	11-1042	▲ Label, Ground	1	
	4-12805515	Nozzle, Yellow, 15° (503027E, 503027E/G)	1	29	9.800-049.0	Label, Manufacturer's Cleaning Solution	1	
	4-12805525	Nozzle, Green, 25° (503027E, 503027E/G)	1			▲ Not Shown		
	4-12805540	Nozzle, White, 40° (503027E, 503027E/G)	1					

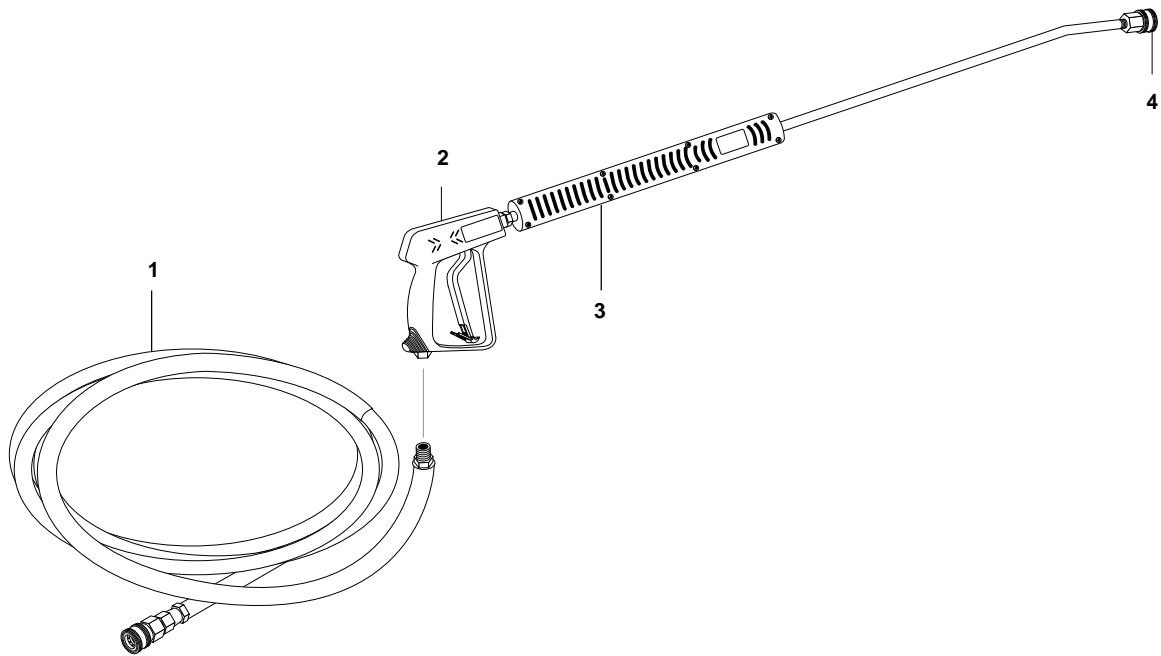
FLOAT TANK EXPLODED VIEW



FLOAT TANK PARTS LIST

ITEM	PART NO.	DESCRIPTION	QTY	ITEM	PART NO.	DESCRIPTION	QTY
1	2-01164100	Tank, Float, 2-1/2 Gal., Blank	1	8	90-300210	Screw, #14 x 1", TEK, Blk, Zinc	2
2	2-3011	Valve, Float Brass,	1	9	2-10942	Swivel, 1/2" MP x 3/4" GHF w/Strainer	1
3	2-1906	Strainer, 1/2" Basket	1	10	2-11141	Stem, 5" Float	1
4	2-1053	Nipple, 1/2" JIC x 1/2" MPT	1	11	6-05134	Cable, TY, 48"	1
5	2-010049	Bulkhead, 1/2" PVC	1	12	2-11041	Anchor, Connector, 1/2"	1
6	2-10630	Elbow, 3/4" JIC x 1/2", 90°	1	13	2-0102	Ball, Float, Black Plastic	1
7	95-07200014	Support Plate, Float Tank	1				

HOSE & SPRAY GUN EXPLODED VIEW



HOSE & SPRAY GUN PARTS LIST

ITEM	PART NO.	DESCRIPTION	QTY	ITEM	PART NO.	DESCRIPTION	QTY
1	4-020750C	Hose 3/8" x 50', Black 2 Wire W/Coupler	1	3	4-0111021	Lance, Spray, Insulated, 35.5" SS	1
	4-02073450RC	Hose, 3/8" x 50', Blue 2 Wire w/Coupler	1	4	2-2000	Coupler, 1/4" Female, Brass	1
2	4-01246	Spray Gun, Shut Off, 10 GPM @ 4000 PSI	1		2-0132	▲ Seal, 1/4" Replacement Only	1
					2-0119	▲ O-Ring Replacement Only	

▲ Not Shown

SPECIFICATIONS

PARTS SPECIFICATIONS: LEGACY PUMP

Machine Model	PUMP						ENGINE			
	Pump Model	Part Number	Unloader	Pulley	Pulley Part #	Bushing	Bushing Part #	Engine Size	Engine Part #	Engine Pulley
503027E	GT6035	5-1932	5-3208	2BK90H	5-4050900	25MM	5-512025	16 HP	5-0309	2BK34H
503027E/G	GT6035	5-1932	5-3208	2BK90H	5-4050900	25MM	5-512025	16 HP	5-0309	3TB34
503537E/G	GT6035	5-1932	5-3208	2BK100H	5-40510001	25MM	5-512025	20 HP	5-01093	3TB34
603537E/G	GT6035	5-1932	5-3208	2BK90H	5-4050900	25MM	5-512025	24 HP	5-01094	3TB36

SPECIFICATIONS

ENGINE						CONTROLS				
Model	Pulley Part #	Bushing Part #	Belt Size	Belt Part #	Pulley Part #	Belts	Belt Part #	Bushing		
503027E	5-40503401	H x 1	5-511100	BX 43	5-604043	NA	NA	NA	NA	NA
503027E/G	5-407034	P2 X 1	5-531112	BX 43	5-604043	BK34H	5-4050340	BX32	5-604032	5-511063
503537E/G	5-407034	P2 X 1	5-531112	BX 44	5-604044	BK34H	5-4050340	BX34	5-604034	5-511063
603537E/G	5-407036	P2 X 1-1/8	5-531113	BX 44	5-604044	BK36H	5-4040360	BX34	5-604034	5-511063

SPECIFICATIONS

BECKETT BURNER SPECIFICATIONS

Model No.	Burner Assy No.	Fuel Nozzle	Transformer	Burner Motor	Fuel/Pump Solenoid/Cord	Fuel Solenoid Coil	Electrode
503027E	7-00030	7-0103	7-515242	7-21699	7-00098	7-21854U	7-5780
503027E/G	7-00011	7-01284	7-51824	7-21344U	7-21844U	7-21755U	7-578703
503537E/G	7-00011	7-01284	7-51824	7-21344U	7-21844U	7-21755U	7-578703
603537E/G	7-00011	7-01284	7-51824	7-21344U	7-21844U	7-21755U	7-578703

WAYNE BURNER SPECIFICATIONS

Model No.	Burner Assy No.	Fuel Nozzle	Transformer	Burner Motor	Fuel/Pump Solenoid/Cord	Fuel Solenoid Coil	Electrode
503027E/G	7-00034	7-0127	7-20358	7-0005	7-0009	7-0009611	7-13286
503537E/G	7-00034	7-0127	7-20358	7-0005	7-0009	7-0009611	7-13286
03537E/G	7-00034	7-0127	7-20358	7-0005	7-0009	7-0009611	7-13286



**SHARK LIMITED NEW PRODUCT WARRANTY
PRESSURE WASHERS
WHAT THIS WARRANTY COVERS**

All SHARK PRESSURE WASHERS are warranted by SHARK to the original purchaser to be free from defects in materials and workmanship under normal use, for the periods specified below. This Limited Warranty is subject to the exclusions shown below, is calculated from the date of the original purchase, and applies to the original components only. Any parts replaced under this warranty will assume the remainder of the part's warranty period. This warranty applies to the original purchaser and is not transferable.

LIMITED LIFETIME PARTS WARRANTY:

Components manufactured by SHARK, such as frames, handles, and belt guards. Forged brass pump manifold. All heating coils will have a three year warranty. Internal components (excluding oil seals) on the oil-end of all pressure washer pumps will have a seven year warranty.

ONE YEAR PARTS WARRANTY:

All other components, excluding normal wear items as described below, will be warranted for one year on parts. Warranty on these parts will be for one year regardless of the duration of the original component manufacturer's part warranty.

WARRANTY PROVIDED BY OTHER MANUFACTURERS:

Motors, generators, and engines, which are warranted by their respective manufacturers, are serviced through these manufacturers' local authorized service centers. SHARK cannot provide warranty on these items.

WHAT THIS WARRANTY DOES NOT COVER

This warranty does not cover the following items:

1. Normal wear items, such as nozzles, guns, discharge hoses, wands, quick couplers, seals, filters, gaskets, O-rings, packings, pistons, pump valve assemblies, strainers, belts, brushes, rupture disks, fuses, pump protectors.
2. Damage or malfunctions resulting from accidents, abuse, modifications, alterations, incorrect installation, improper servicing, failure to follow manufacturer's maintenance instructions, or use of the equipment beyond its stated usage specifications as contained in the operator's manual.
3. Damage due to freezing, chemical deterioration, scale buildup, rust, corrosion, or thermal expansion.
4. Damage to components from fluctuations in electrical or water supply.
5. Normal maintenance service, including adjustments, fuel system cleaning, and clearing of obstructions.
6. Transportation to service center, shop labor charges, field labor charges, or freight damage.

WHAT YOU MUST DO TO OBTAIN WARRANTY SERVICE

While not required for warranty service, we request that you register your SHARK pressure washer by returning the completed registration card. In order to obtain warranty service on items, you must return the product to an Authorized SHARK Dealer, freight prepaid, with proof of purchase, within the applicable warranty period. If the product is permanently installed, you must notify your Authorized SHARK Dealer of the defect. The Authorized Dealer will file a claim, which must subsequently verify the defect. In most cases, the part must be returned to SHARK freight prepaid with the claim. For warranty service on components warranted by other manufacturers, the Authorized Dealer can help you obtain warranty service through these manufacturers' local authorized service centers.

LIMITATION OF LIABILITY

SHARK'S liability for special, incidental, or consequential damages is expressly disclaimed. In no event shall SHARK'S liability exceed the purchase price of the product in question. SHARK makes every effort to ensure that all illustrations and specifications are correct, however, these do not imply a warranty that the product is merchantable or fit for a particular purpose, or that the product will actually conform to the illustrations and specifications. **THE WARRANTY CONTAINED HEREIN IS IN LIEU OF ALL OTHER WARRANTIES, EXPRESS OR IMPLIED, INCLUDING ANY IMPLIED WARRANTY OF FITNESS FOR A PARTICULAR PURPOSE.** SHARK does not authorize any other party, including authorized Dealers, to make any representation or promise on behalf of SHARK, or to modify the terms, conditions, or limitations in any way. It is the buyer's responsibility to ensure that the installation and use of SHARK products conforms to local codes. While SHARK attempts to assure that its products meet national codes, it cannot be responsible for how the customer chooses to use or install the product.

SHARK PRESSURE WASHERS
1-800-771-1881 • www.shark-pw.com

